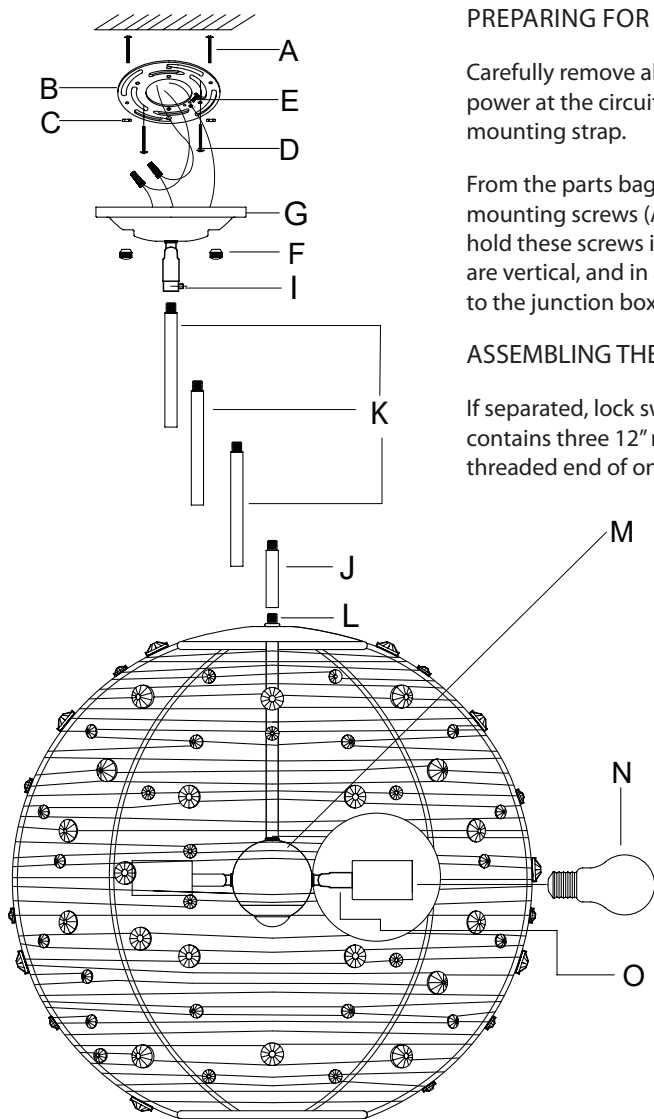


# Assembly Instructions: 1993-M, L (Joia)

## IMPORTANT:

- ALL INSTALLATION WORK SHOULD BE DONE BY ACCREDITED PROFESSIONAL.
- SHUT OFF POWER SUPPLY AT FUSE OR CIRCUIT BREAKER!
- USE ONLY THE SPECIFIED BULBS. DO NOT EXCEED THE MAXIMUM WATTAGE!

For Customer Service, contact the place of purchase.



## PREPARING FOR INSTALLATION

Carefully remove all of the contents from the carton. See the important notes above. Shut off the power at the circuit breaker and completely remove the old fixture from the ceiling, including the old mounting strap.

From the parts bag remove the mounting strap assembly. Mounting strap (B) contains holes. Two of mounting screws (A) should be attached to mounting strap (B). You may need to tighten nuts (C) that hold these screws in place. Place mounting strap (B) over the junction box so that mounting screws (A) are vertical, and in alignment with the locations of the holes on canopy (G). Secure mounting strap (B) to the junction box with mounting screws (D) and a screwdriver. Tighten the screws securely.

## ASSEMBLING THE FIXTURE

If separated, lock swivel (H) into canopy (G) using the hex nut that is at the top of swivel (H). The box contains three 12" rods (K) and one 6" rod (J). Each rod can be connected to another by twisting the threaded end of one into the opposite end of another.

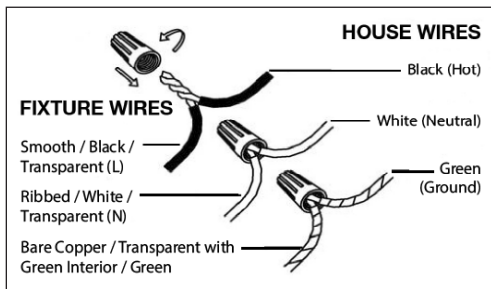
Each rod may also be used alone to connect the fixture's body to swivel (H) on canopy (G).

By measuring, decide the desired overall height of your fixture and determine how many rods are needed to achieve the desired height. Push the fixture's wires through each rod. Thread the bottom rod onto post (L) at the center of the fixture's body. Pull the wires through the rods until taut and then connect the rods together as described above.

Loosen screw (I) and angle the top rod into the bottom of swivel (H). Twist the threads of the rod into swivel (H). Tighten screw (I) to hold the rod in place within the swivel.

## CONNECTING THE WIRES

Have an assistant support the fixture's weight while completing the wiring. Cut away excess wire. Attach the fixture's wires to the power supply wires from the junction box. Connect black to smooth/black/transparent (L) wire; white to ribbed/white/transparent (N) wire; ground to ground (green or copper). Twist the ends of the wire pairs together, and then twist on a wire connector. Make sure all twists are in the same direction. If there is no ground wire (green or copper) from the junction box, locate ground screw on mounting strap (B) and wrap the fixture ground wire around the green ground screw. Use a screwdriver to secure ground screw onto the mounting bracket/mounting strap. Tuck all wires neatly into the junction box.



## FINISHING THE INSTALLATION

Push canopy (G) up to the ceiling and tightly thread nuts (F) onto the exposed threads of mounting screws (A).

Twist light bulbs (N - not provided) into the sockets in accordance with the fixture's specifications. Do not exceed the maximum wattage. Note: The socket can be moved up and down. Please move the socket down before inserting the bulb. Move the sockets into your desired position.

Your installation is now complete. Turn on the power and test the fixture.

## CLEANING TIPS

Treat the fixture gently! Regular cleaning will reduce the need for deep cleaning. For regular cleaning, turn off the light and wipe down the fixture with a clean lint-free cotton or microfiber cloth. Never spray cleaner directly onto the fixture.