

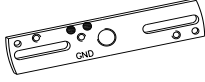
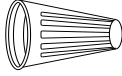
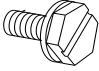


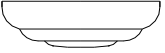

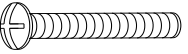
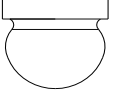
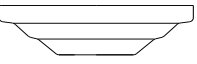
Fixture Name: Candance 1260-11/13/15 PW/RBZ

This fixture assembled PO: \_\_\_\_\_ Date: \_\_\_\_\_

**Notice:** Please review the parts listing and check for all parts before assembling the fixture. If any parts are missing or damaged, please note on this sheet and contact the place of purchase to arrange for replacement parts.

## PARTS LIST

Company Name: \_\_\_\_\_ Co. Account #: \_\_\_\_\_  
to be filled out by retailer

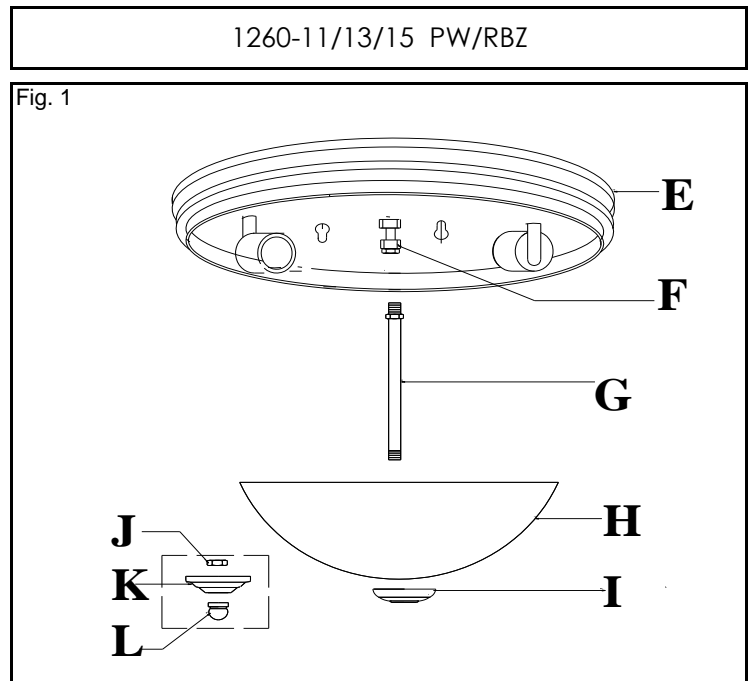
<b>Mounting Strap</b>  1 ea 4"*H1.5mm	<b>Wire Connectors</b>  2ea P3 Orange	<b>Green Grounding Screw</b>  1 ea #8-32N*10mm
<b>Hex Nut</b>  2 ea 3/8"*H3mm	<b>Hex Nut</b>  2 ea 5/32"*H3.5mm	<b>Bottom Cap</b>  1 ea Ø37*H15mm
<b>Junction Box Screw</b>  2 ea #8-32N*18mm	<b>Mounting Screw</b>  2 ea 5/32"*H40mm	<b>Finial</b>  1 ea Ø14*H13mm
<b>Cap</b>  1ea Ø45*H12mm		
Part Needed _____ Quantity _____ Part Needed _____ Quantity _____ Reason why (missing, scratched, broken glass, bent, bad finish) Comments _____		

### FIXTURE ASSEMBLY INSTRUCTIONS

**Read and review installation instruction sheet before assembling the fixture.**

1. Thread Nipple (G) to the Ceiling Pan Coupler (F), tighten with Hex Nut.
2. Install light bulb in accordance with fixture's specifications.
3. Slide Glass Shade (H) over Nipple (G) and tighten with Bottom Cap (I).
4. A alternative for securing the Glass Shade (H), Slide Glass Shade (H) over Nipple (G) and tighten with Hex Nut (J), slide Cap (K) through Nipple (G) and tighten with Finial (L)
5. Turn on the power at fuse or Circuit Box.

**NOTE: INSTALL THE GLASS ASSEMBLY AFTER THE FIXTURE IS HUNG.**



For Customer Service, contact the place of purchase to arrange for replacement parts.

## WARNING! SHUT OFF POWER AT FUSE OR CIRCUIT BREAKER.

### HANGING THE FIXTURE (Fig. 1)

1. Carefully remove the new fixture from the carton and the yellow bag that holds all your parts. Check that all parts are included as shown in the illustration and parts list.

2. Shut off power at the circuit breaker and remove the old fixture from ceiling, including the old mounting strap.

3. Thread the two Mounting Screws (A) onto the screw holes on the Mounting Strap (B) that match the holes spacing in the Ceiling Pan (E) and tighten with Hex Nut (D).

4. Place the Mounting Strap (B) over the Junction Box so the Mounting Screws (A) are vertical or horizontal, as required by fixture type.

5. Attach the Mounting Strap (B) to the Junction Box by using the two mounting screws (C). Tighten the screws securely with screw driver!!

### CONNECTING THE WIRES (Fig. 2)

6. Attach the power supply wires to the fixture lead wires by connecting BLACK to BLACK (or SMOOTH) and WHITE to WHITE (or RIBBED).

7. Attach the GROUND wire (GREEN or COPPER) from the Junction Box and the fixture Ground wire to the green Ground Screw on the Mounting Strap (B) or connect both wires together using the correct size of wire connectors.

NOTE: Twist the wires together in the same direction you twist the wire connector onto the wires.

8. Tuck these wire connections neatly into the Junction Box.

### FINISHING THE INSTALLATION (Fig. 3)

9. Raise the Ceiling Pan (E) against ceiling and position the Mounting Screw heads (A) through the large openings of the keyhole slots. Rotate the Pan (E) to seat the Mounting Screw (A) and tighten securely.

10. Install the light bulbs and glass shade as per the fixture assembly sheet in accordance with the fixtures specifications.

**YOUR INSTALLATION IS NOW COMPLETE, RETURN POWER TO THE JUNCTION BOX AND TEST THE FIXTURE.**

